

# Overvoltage Protection

## Voice Recording System VC-MDX

Version 1908

Table of Content

1 Document History.....3

2 Note .....3

3 Connectivity basics .....4

4 Surge protection.....4

5 Overvoltage protection .....5

6 Generic draft from Dehn .....6

7 Generic grounding device.....6

## 1 Document History

Version	Changed
01.00	Initial Version (PR 2016-06)
V1908	VC Adaptation

## 2 Note

This document describes a working overvoltage protection for vc-mdx recording solutions. We propose the usage of protective solutions from DEHN.

[http://www.dehn-international.com/sites/default/files/uploads/dehn/pdf/anwendungen/ds145\\_e\\_dehnrapiid.pdf](http://www.dehn-international.com/sites/default/files/uploads/dehn/pdf/anwendungen/ds145_e_dehnrapiid.pdf)

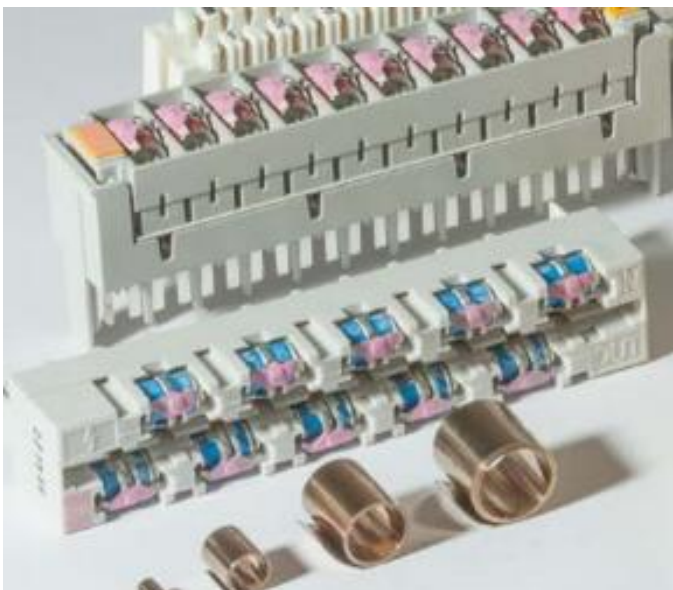
### 3 Connectivity basics

- a. The main base is a LSA connection bay for up to 10 DA.
- b. This connection bay consists of 2 modules  
Disconnection block 907 996  
Mounting frame 907 995
- c. **Mounting frame must be properly grounded to EARTH!**



### 4 Surge protection

- a. This TPYE 1 protection is basic security against lightning and massive overvoltage.
- b. Fuses will be triggered once Voltage exceeds app. 200 V
- c. Module will be plugged on top of “disconnection block”
- d. Standard module 907 400
- e. Module with indicator 907 401



## 5 Overvoltage protection

- a. This is a much more sensitive protection module and has to be carefully selected depending on the input sources
- b. Base module will be plugged on top of surge protection module



- c. Base module

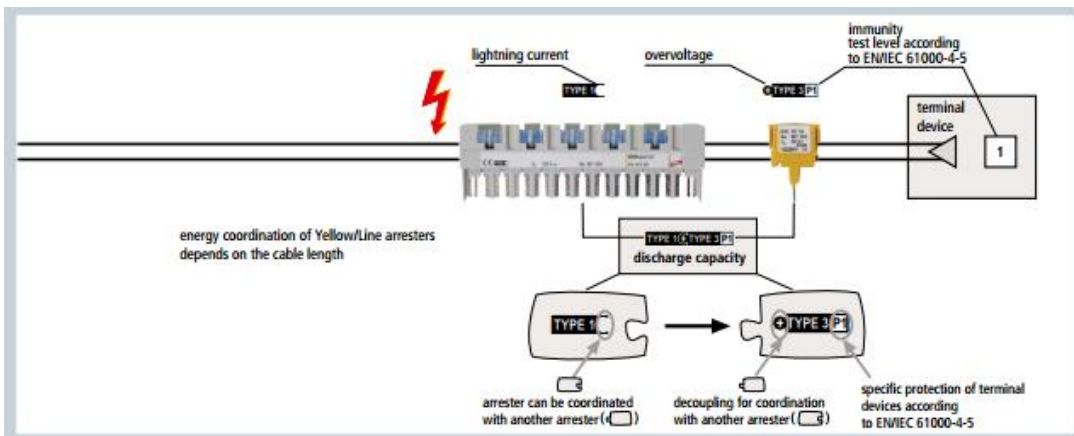


- d. 907 498  
Overvoltage plug will be plugged into base module

- e. Recommendations

Telecommunication systems	
a/b cores	DRL 10 B 180 FSD + EF 10 DRL + DRL PD 180
ADSL	DRL 10 B 180 FSD + EF 10 DRL + DRL PD 180
ADSL 2+	DRL 10 B 180 FSD + EF 10 DRL + DRL PD 180
E1	DRL 10 B 180 FSD + EF 10 DRL + DRL HD 24
G.703 / G.704	DRL 10 B 180 FSD + EF 10 DRL + DRL HD 24
HDSL	DRL 10 B 180 FSD + EF 10 DRL + DRL HD 24
ISDN S0	DRL 10 B 180 FSD + EF 10 DRL + DRL HD 24
ISDN S2m / U2m	DRL 10 B 180 FSD + EF 10 DRL + DRL PD 180
SDSL	DRL 10 B 180 FSD + EF 10 DRL + DRL HD 24
SHDSL	DRL 10 B 180 FSD + EF 10 DRL + DRL HD 24
System telephony (e.g. Siemens, HICOM, Alcatel)	DRL 10 B 180 FSD + EF 10 DRL + DRL PD 180 DRL 10 B 180 FSD + EF 10 DRL + DRL RD 110
T-DSL	DRL 10 B 180 FSD + EF 10 DRL + DRL PD 180
Telecommunication systems	DRL 10 B 180 FSD + EF 10 DRL + DRL PD 180
Universal lightning equipotential bonding	DRL 10 B 180 FSD
VDSL	DRL 10 B 180 FSD

## 6 Generic draft from Dehn



- Input from the left
- Surge protection module
- Overvoltage module
- “terminal device” equals VC-MDx recording equipment

## 7 Generic grounding device

- Most telecommunication cables are being shipped with a small blank wire which is intended to be grounded
- For such a grounding equipment is available as well



\*\*\* End of Document \*\*\*