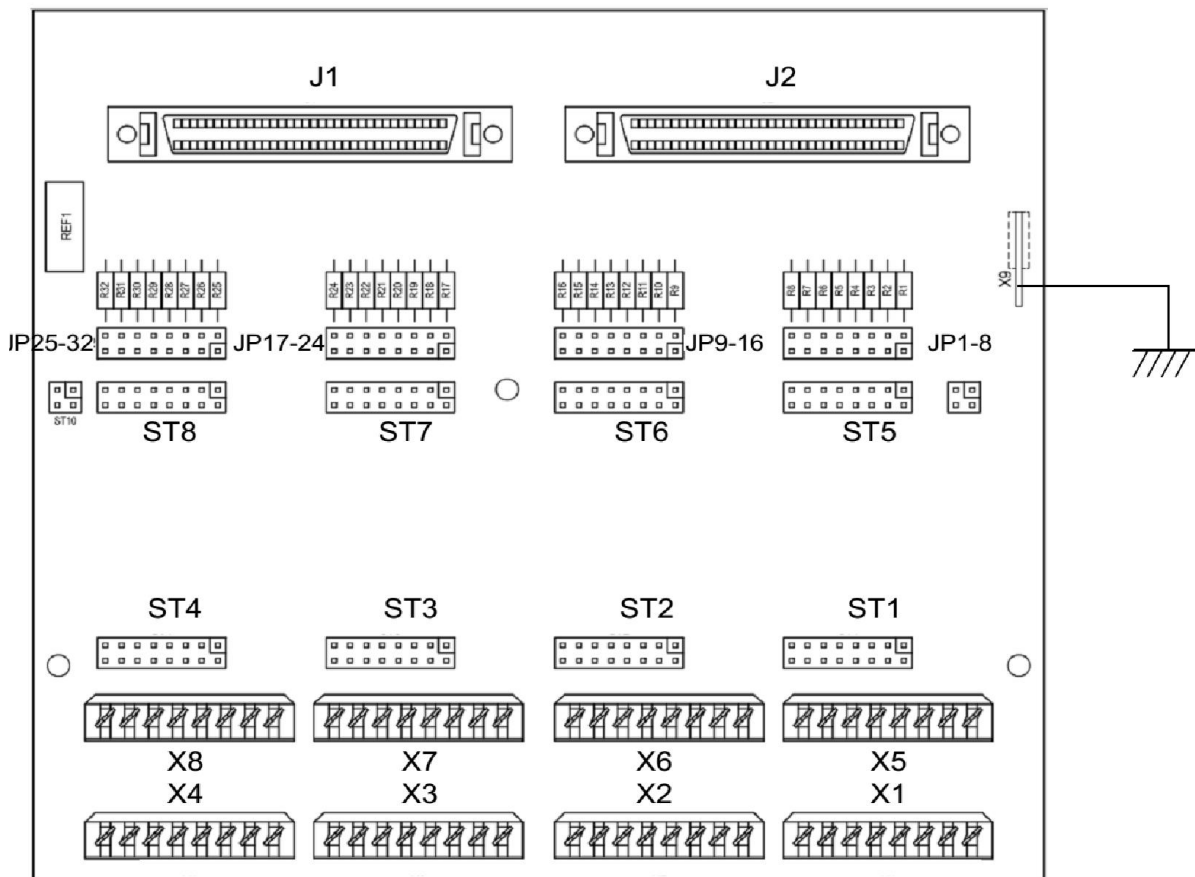


AI16-32 connection board

The installation location of the VC-MDx has to fulfill the following requirements:

- General requirements of chapter "first use".
- Maximum line length between PABX and AI16K interface board: 180 m.
- The parallel connection should be realized on the external connection card 7170229.
- (An overvoltage protection system is also available as an option).

Connection Cable and External Connection



AI16/32K-External Connection Card

Pos	Description	More
J1	Phone Lines Output Connector	
J2	Phone Lines Output Connector Redundant	
X1	Terminal clamp (Krone)	"a" wire, phone line 1-8
X2	Terminal clamp (Krone)	"a" wire, phone line 9-16
X3	Terminal clamp (Krone)	"a" wire, phone line 17-24
X4	Terminal clamp (Krone)	"a" wire, phone line 25-32
X5	Terminal clamp (Krone)	"b" wire, phone line 1-8
X6	Terminal clamp (Krone)	"b" wire, phone line 9-16
X7	Terminal clamp (Krone)	"b" wire, phone line 17-24
X8	Terminal clamp (Krone)	"b" wire, phone line 25-32
X9	Earth connection	
ST1..ST8	Used with optional overvoltage protection.	

Simple system:

Connect the P1 connector of the AI16K Analog PCI Board and the J1 connector of the External Connection Card with the 68-pole connection cable.

Redundant system:

Recorder 1 Connect the P1 connector of the AI16K Analog PCI Board and the J1 connector of the External Connection Card with the 68-pole connection cable.

Recorder 2 Connect the P1 connector of the AI16K Analog PCI Board and the J2 connector of the External Connection Card with the 68-pole connection cable.

Connect the channels to the terminal clamps

The terminal clamps have the following pinout:

Pin X1	Signal	PinJ1 / J2	Description
X1-1	R0	1	Phone line 1 'a' wire
X1-2	R1	2	Phone line 2 'a' wire
X1-3	R2	3	Phone line 3 'a' wire
X1-4	R3	4	Phone line 4 'a' wire
X1-5	R4	5	Phone line 5 'a' wire
X1-6	R5	6	Phone line 6 'a' wire
X1-7	R6	7	Phone line 7 'a' wire
X1-8	R7	8	Phone line 8 'a' wire

Pin-out Terminal clamp X1


Pin X1	Signal	PinJ1 / J2	Description
X2-9	R8	9	Phone line 9 'a' wire
X2-10	R9	10	Phone line 10 'a' wire
X2-11	R10	11	Phone line 11 'a' wire
X2-12	R11	12	Phone line 12 'a' wire
X2-13	R12	13	Phone line 13 'a' wire
X2-14	R13	14	Phone line 14 'a' wire
X2-15	R14	15	Phone line 15 'a' wire
X2-16	R15	16	Phone line 16 'a' wire

Pin-out Terminal clamp X2

Pin X1	Signal	PinJ1 / J2	Description
X3-17	R16	17	Phone line 17 'a' wire
X3-18	R17	18	Phone line 18 'a' wire
X3-19	R18	19	Phone line 19 'a' wire
X3-20	R19	20	Phone line 20 'a' wire
X3-21	R20	21	Phone line 21 'a' wire
X3-22	R21	22	Phone line 22 'a' wire
X3-23	R22	23	Phone line 23 'a' wire
X3-24	R23	24	Phone line 24 'a' wire

Pin-out Terminal clamp X3

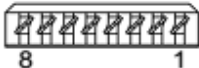
X4



Pin X1	Signal	PinJ1 / J2	Description
X3-25	R24	25	Phone line 25 'a' wire
X3-26	R25	26	Phone line 26 'a' wire
X3-27	R26	27	Phone line 27 'a' wire
X3-28	R27	28	Phone line 28 'a' wire
X3-29	R28	29	Phone line 29 'a' wire
X3-30	R29	30	Phone line 30 'a' wire
X3-31	R30	31	Phone line 31 'a' wire
X3-32	R31	32	Phone line 32 'a' wire

Pin-out Terminal clamp X4

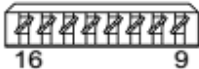
X5



Pin X1	Signal	PinJ1 / J2	Description
X1-1	T0	35	Phone line 1 'b' wire
X1-2	T1	36	Phone line 2 'b' wire
X1-3	T2	37	Phone line 3 'b' wire
X1-4	T3	38	Phone line 4 'b' wire
X1-5	T4	39	Phone line 5 'b' wire
X1-6	T5	40	Phone line 6 'b' wire
X1-7	T6	41	Phone line 7 'b' wire
X1-8	T7	42	Phone line 8 'b' wire

Pin-out Terminal clamp X5


X6



Pin X1	Signal	PinJ1 / J2	Description
X2-9	T8	43	Phone line 9 'b' wire
X2-10	T9	44	Phone line 10 'b' wire
X2-11	T10	45	Phone line 11 'b' wire
X2-12	T11	46	Phone line 12 'b' wire
X2-13	T12	47	Phone line 13 'b' wire
X2-14	T13	48	Phone line 14 'b' wire
X2-15	T14	49	Phone line 15 'b' wire
X2-16	T15	50	Phone line 16 'b' wire

Pin-out Terminal clamp X6

X7



Pin X1	Signal	PinJ1 / J2	Description
X3-17	T16	51	Phone line 17 'b' wire
X3-18	T17	52	Phone line 18 'b' wire
X3-19	T18	53	Phone line 19 'b' wire
X3-20	T19	54	Phone line 20 'b' wire
X3-21	T20	55	Phone line 21 'b' wire
X3-22	T21	56	Phone line 22 'b' wire
X3-23	T22	57	Phone line 23 'b' wire
X3-24	R23	58	Phone line 24 'b' wire

Pin-out Terminal clamp X7