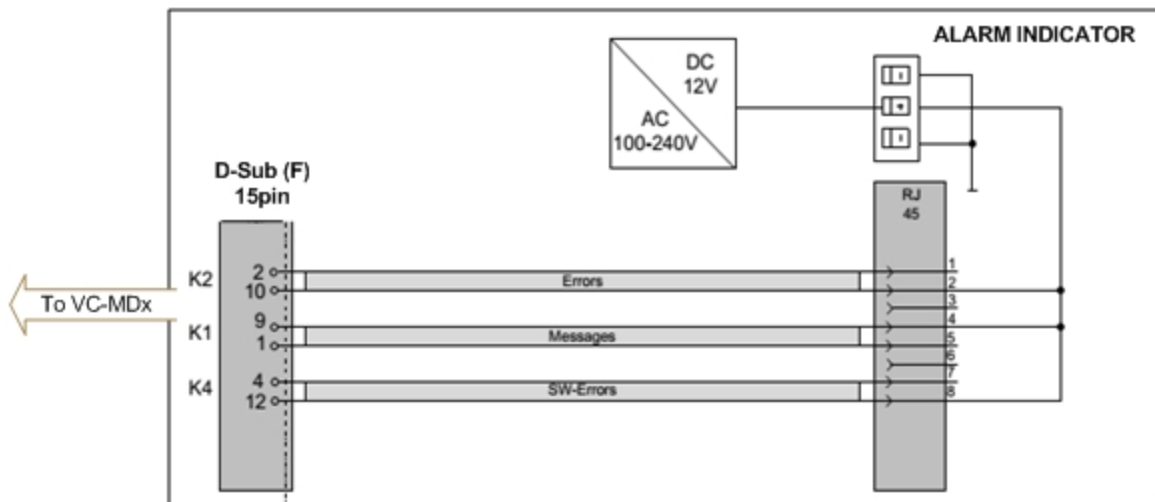


Pin	Signal	Function
1	ALIN 2	Errors
2	+12Vdc	
3	VIN2	
4	+12Vdc	
5	ALIN 1	Messages
6	GND	
7	ALIN 3	SW errors
8	+12Vdc	



User / Recorder	LED'	Buzzer
1. Power supply connexion K1, K2, K3 & K4 closed	Led 1 & 2 Green	OFF
2. Recorder Alarm 1 K1 open, K2, K3 & K4 closed	Led 1 Red	ON
3. Push reset button	Led 1 Red	OFF
4. No alarm K1, K2, K3 & K4 closed	Led 1 & 2 Green	OFF
5. Recorder Alarm 2 K1 closed, K2 open, K3 & K4 closed	Led 2 Red	ON
6. Push reset button	Led 2 Red	OFF
7. No alarm K1, K2, K3 & K4 closed	Led 1 & 2 Green	OFF
8. Recorder Alarm 3 Recorder appl. Blocked/ frozen or SW sentinel not running, K1, K2 closed, K3 or K4 open	Led 3 Red	ON
9. Push reset button	Led 3 Red	OFF
10. No alarm K1, K2, K3 & K4 closed	Led 1, 2 & 3 Green	OFF

00002	13.02.2019	
00001	13.02.2019	PE
Rev.No.	Date	Name
Release of production / Modification		

VoiceCollect

Device

**Alarm Indicator
with cable for
1 Recorder**

VoiceCollect GmbH
Justus-von-Liebig-Str.5
61352 Bad Honnburg

Article-No

7147120

Replace

Replace by